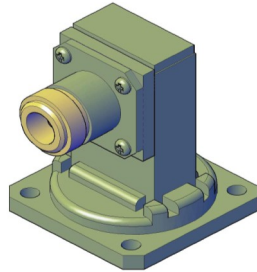
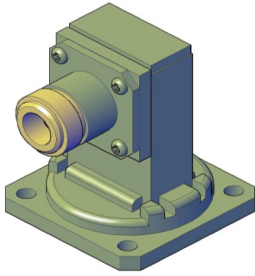
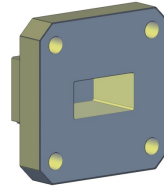


# Space Machine & Engineering CORP.

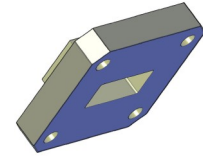
## Waveguide Calibration Kit



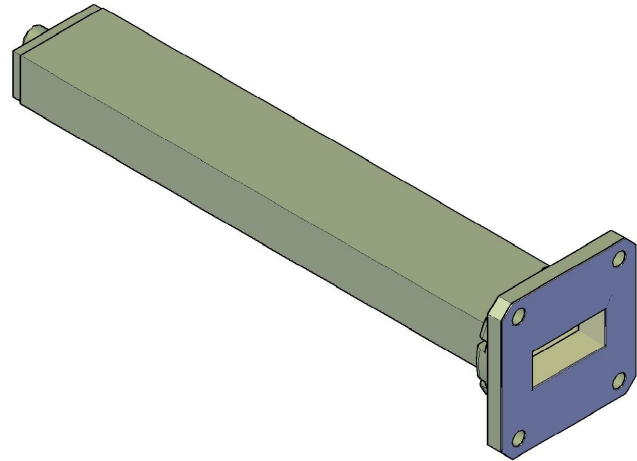
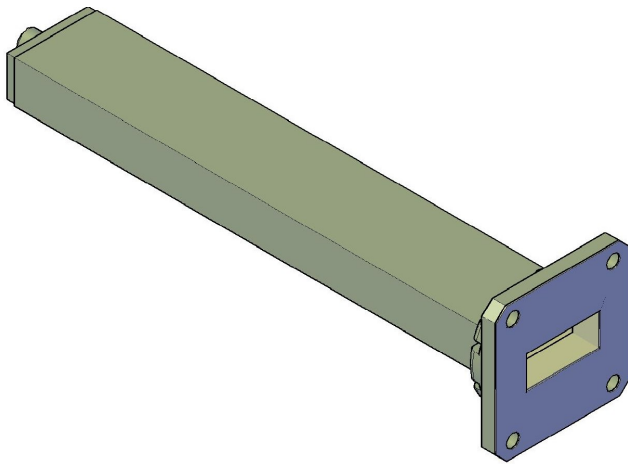
*Two SMA Female Adapters*



*3/8 Offset Short*



*1/8 Offset Short*



*Two Precision Terminations*

Space Machine offers a standard product line of waveguide calibration kits. The kit is available for rectangular waveguide sizes ranging from WR28 thru WR650. Standard kit includes: two precision tuned SMA female waveguide to coax adapters, two offset shorts (1/8 and 3/8 wavelength), and two precision terminations. Double ridge waveguide calibration kits are also available upon request.

### **Ordering Information:**

**Waveguide Calibration Kit, WR90**

**Example part number:**

<b>WCK</b>	<b>wr</b>	<b>-m</b>	<b>f</b>	<b>-p</b>	<b>f</b>
WCK	90	-A	01	C	P

Series (WCK):

Waveguide Size (wr): WR28 thru WR650

Material (-m): A-Aluminum, B-Bronze, C-OFHC Copper, O-Other

Flange (f): See [Appendix G](#) or [Appendix H](#)

Plating (-p): C – Chromate, S – Silver, G – Gold, O – Other, N – None

Finish (f): P – Paint Space Machine Gray, N – None, O – Other

2327 16TH AVENUE NORTH, ST. PETERSBURG, FLORIDA 33713 \* PHONE (727) 323-2221 \* FAX (727) 323-2376