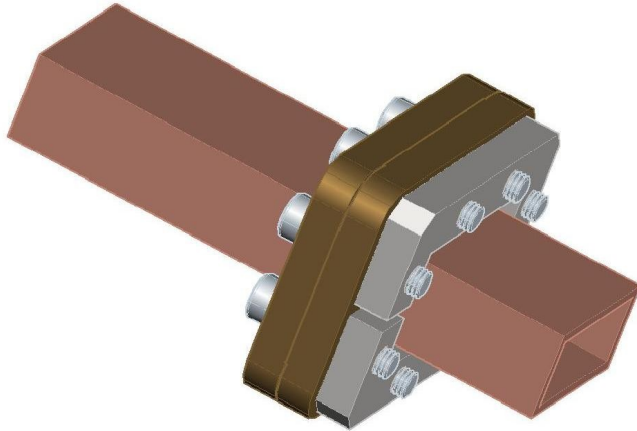
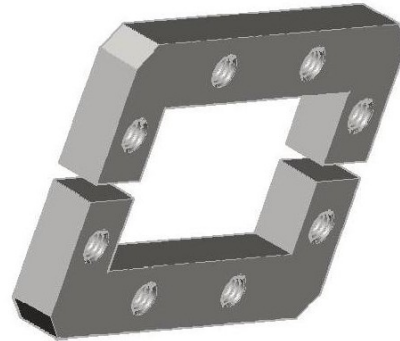


## Waveguide Flange Nut Bracket



*Waveguide and Nut Bracket Assembly*



*Waveguide Flange Nut Bracket*

For easy installation and removal of attached pieces, Space Machine offers a standard product line of Waveguide Flange Nut Brackets for CPR type Flanges from waveguide sizes WR75 thru WR975. The standard Nut Bracket material is Stainless Steel.

**Ordering Information:**

**Waveguide Flange Nut Bracket  
For WR112 CPR Flange**

**Example part number:**

<b><u>FNB</u></b>	<b><u>wr</u></b>
FNB	112

Series (FNB):

Waveguide Size (wr): WR75 thru WR975