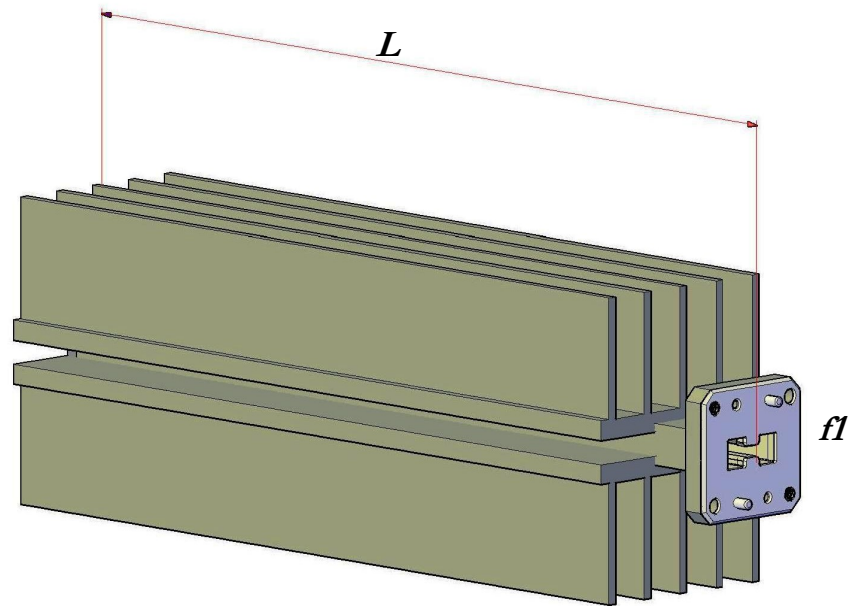


## Double Ridge Waveguide High Power Termination



Model	WRD #	Frequency (GHz)	Avg. Power (W)	Length (L)
DTH180-	180	18.00 - 40.00	100	5.00
DTH110-	110	11.00 - 26.50	100	6.00
DTH750-	750	7.50 - 18.00	600	10.00
DTH650-	650	6.50 - 18.00	600	10.00
DTH580-	580	5.80 - 16.00	600	10.00

Model	WRD #	Frequency (GHz)	Avg. Power (W)	Length (L)
DTH500-	500	5.00 - 18.00	600	11.00
DTH475-	475	4.75 - 11.00	800	12.00
DTH350-	350	3.50 - 8.20	1000	13.50
DTH250-	250	2.60 - 7.80	1200	14.00
DTH200-	200	2.00 - 4.80	1300	18.00

Space Machine offers a standard product line of high power double ridge terminations covering waveguide sizes WRD180 thru WRD200. VSWR is held to 1.15:1 maximum over the full waveguide band. Additional sizes and configurations are available upon request.

### Ordering Information:

**Double Ridge Termination, High Power, WRD650, Aluminum, Cover Flange, Chromated, Paint Heat Resistant Flat Black.**

Example part number:

<u>DTH</u>	<u>wrd</u>	<u>-m</u>	<u>f</u>	<u>-p</u>	<u>f</u>
DTH	650	-A	01	-C	O

Series (DTH):

Waveguide Size (wrd): WRD180 thru WRD200

Material (-m): A – Aluminum

Flange (f): See [Appendix H](#)

Plating (-p): C – Chromate

Finish (f): N – None, O – Heat Resistant Flat Black