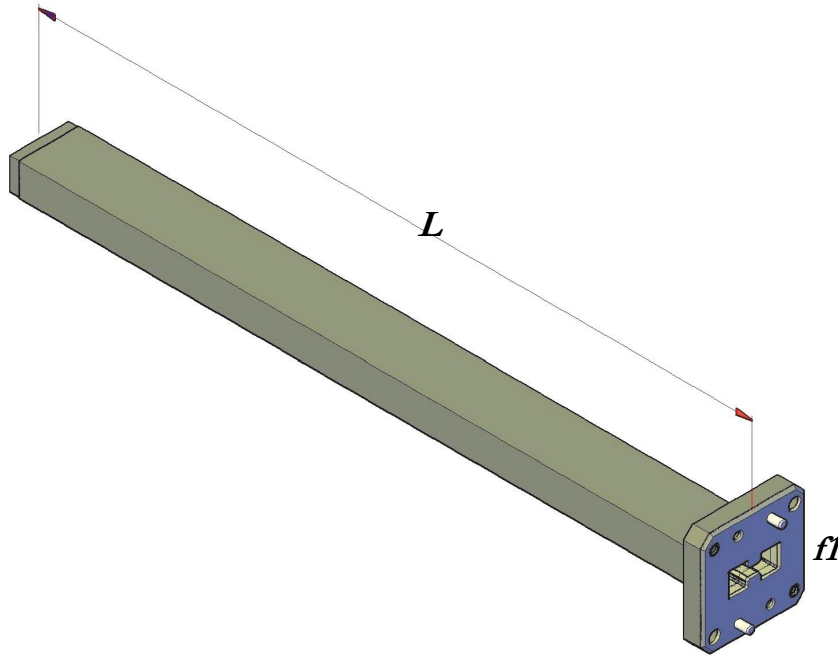


Double Ridge Waveguide Low Power Termination



Model	WRD #	Frequency (GHz)	Avg. Power (W)	Length (L)	Model	WRD #	Frequency (GHz)	Avg. Power (W)	Length (L)
DTL180-	180	18.00 - 40.00	50	5.00	DTL500-	500	5.00 - 18.00	100	10.00
DTL110-	110	11.00 - 26.50	75	6.00	DTL475-	475	4.75 - 11.00	200	12.00
DTL750-	750	7.50 - 18.00	100	10.00	DTL350-	350	3.50 - 8.20	400	13.50
DTL650-	650	6.50 - 18.00	100	10.00	DTL250-	250	2.60 - 7.80	550	14.00
DTL580-	580	5.80 - 16.00	100	10.00	DTL200-	200	2.00 - 4.80	700	18.00

Space Machine offers a standard product line of low power double ridge terminations covering waveguide sizes WRD180 thru WRD200. VSWR is held to 1.15:1 maximum over the full waveguide band. Additional sizes and configurations are available upon request.

Ordering Information:

Double Ridge Termination, Low Power, WRD180, Aluminum, Cover Flange, Chromated, Paint Space Machine Gray.

Example part number:

DTL wrd -m f -p f
 DTL 180 -A 01 -C P

Series (DTL):

Waveguide Size (wrd): WRD180 thru WRD200

Material (-m): A – Aluminum

Flange (f): See [Appendix H](#)

Plating (-p): C – Chromate, S – Silver, G – Gold, O – Other, N – None

Finish (f): P – Paint Space Machine Gray, N – None, O – Other