

# MoTech Electronics

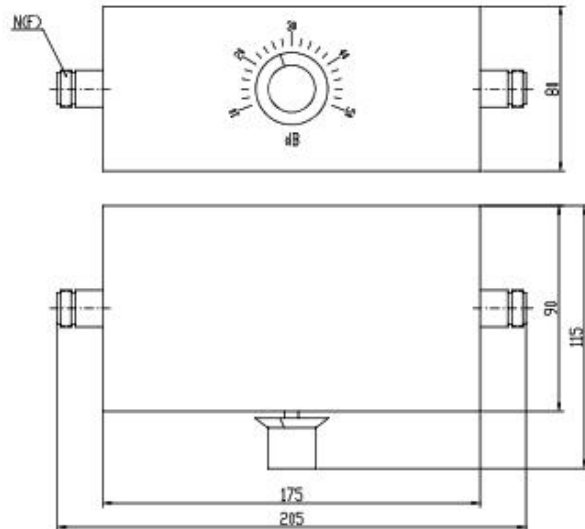
## VARIABLE/STEP ATTENUATORS

### Model MKTS-5 DC-2GHz 5 Watts



Continuous variable attenuators can be used to adjust the power signal level continuously within certain frequency range without power off, they can also be used to adjust the test system's power level as inset attenuators, it is small with high accuracy and high stability etc.

KTS-5 continuous variable attenuators' average power 5W, frequency range from DC-2GHz.



#### MECHANICAL SPECIFICATIONS

Connectors	Female Pin	Housing	Temp Range	Dimensions	Weight
Brass Nickel Plated	Beryllium Copper Gold Plated	Aluminum, Blue Spray Painting	-40°C~+65°C	205×115×80mm	250g

RoHS Compliant: Yes

#### ELECTRICAL SPECIFICATIONS

Model Number	Attenuation Range(dB)	Insertion Loss(dB)	Direct Reading Dial Calibrate Frequency(MHz)	Max VSWR
MKTS-5	10-60dB(1GHz)	10	900	≤1.5
	10-50dB(1-2GHz)		1800	

**NOMINAL IMPEDANCE:** 50Ω

**AVERAGE POWER:** 50W

**CONNECTOR TYPE:** N (F, F)

#### Notes:

1. Dimensions Tolerance  $\pm 2\%$
2. Custom designs available for other special attenuation value & accuracy