



Description

Mi-Wave's 911 Series PIN Diode or MMIC switch is a SPST (912 Series is SPDT) reflective switch that combines low loss, high isolation performance with an tegra TTL driver in a compact package. They are available in standard waveguide bands from 18 - 110GHz. Various driver options are available in higher isolation versions up to 60 dB. These switches can also be supplied without drivers. For higher speed applications, the 911 Series Switches feature an excellent on/off ratio and a 10% bandwidth. Integral drivers are standard with various driver options available.

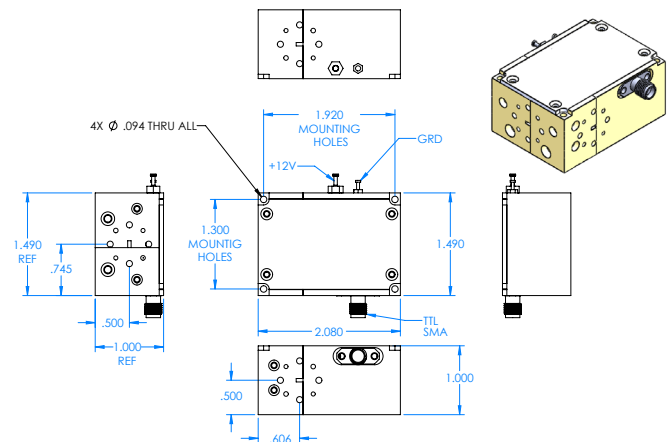
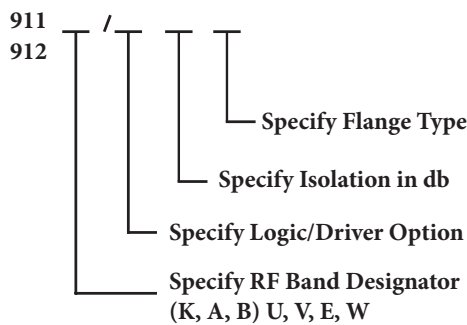
- *Series 911 Single Throw Switches (SPST) - 10% Bandwidth*

Applications

Both series and PIN switches can be used for a variety of applications including wave shaping, duplexing, pulse modulation, signal switching, and receiver protection.

Ordering Information

Please specify center frequency at time of order.



NOTE:

Technical Specifications (typical)							
Model No.	K	A	B	U	V	E	W
Frequency	18-26.5 GHz	26.5-40 GHz	33-50 GHz	40-60 GHz	50-75 GHz	60-90 GHz	75-110 GHz
Insertion Loss (dB) typical	1.5 2.5	1.8 2.8	2 3	2 3	3 4	3.5 X	4 X
Isolation (dB) typical	30 60	30 60	30 60	30 60	30 60	35 X	35 X
Rise/Fall Time (ns)	10	10	10	10	10	10	10
Bias (volts)	8	8	8	8	8	8	8
Power Handling (dBm) - nominal	17	17	17	17	17	17	17
Power Handling (dBm) - max	23	23	23	23	23	23	23
Input/Output	WR-42 Waveguide UG- 595 Flange OR SMA-F	WR-42 Waveguide UG- 595 Flange OR SMA-F	WR-42 Waveguide UG- 595 Flange OR SMA-F	WR-42 Waveguide UG- 595 Flange OR SMA-F	WR-42 Waveguide UG- 595 Flange OR SMA-F	WR-42 Waveguide UG- 595 Flange OR SMA-F	WR-42 Waveguide UG- 595 Flange OR SMA-F
Control	TTL	TTL	TTL	TTL	TTL	TTL	TTL
Control Port	SMA-F	SMA-F	SMA-F	SMA-F	SMA-F	SMA-F	SMA-F

Please consult Mi-Wave for current outline dimensions and insertion loss versus isolation specifications.

For A, B and U bands customer please consult Mi-wave.

For Coaxial Switches please consult Mi-wave.