

Description

Mi-Wave's 550 Series Frequency Meters are available in three standard waveguide sizes for operation from 50 to 220 GHz frequency range.

Each unit is supplied with a calibration table and curve. The calibration is performed by using the micrometer-driven plunger to measure the distance between electrical resonances for a known frequency. These distances are recorded for several frequencies and the plotted on a curve to allow extrapolation for all frequencies.

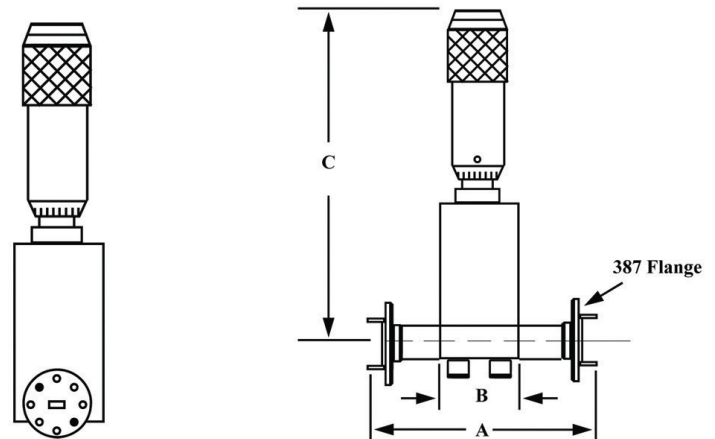
- *High Frequency Operation from 50.0 to 220 GHz*
- *Circular Waveguide Cavity for High-Q Resonances*
- *Micrometer Readout for Accurate Frequency Determination*

Applications

The 550 Series Frequency Meters are reaction-type cavity wavemeters designed for the accurate determination of millimeter wave signal frequencies.

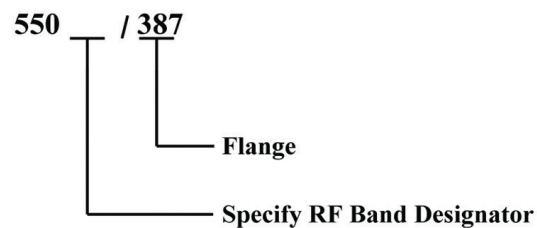


| Dimensional Specifications | | | | | | |
|----------------------------|------|------|-----|------|------|------|
| Model No. | A | | B | | C | |
| | in. | mm | in. | mm | in. | mm |
| 550F | 1.20 | 30.5 | .50 | 12.7 | 2.50 | 63.5 |
| 550D | 1.20 | 30.5 | .50 | 12.7 | 2.50 | 63.5 |
| 550G | 1.20 | 30.5 | .50 | 12.7 | 2.50 | 63.5 |



| Technical Specifications (typical) | | | |
|------------------------------------|------------|-------------|-------------|
| Model No. | 550F | 550D | 550G |
| Frequency Band (GHz) | 90.0–140.0 | 110.0–170.0 | 140.0–220.0 |
| Absolute Accuracy (%) | 0.5 | 0.5 | 0.7 |
| VSWR MAX. ¹ | 1.20 | 1.20 | 1.20 |
| Insertion Loss (dB) Typical | 0.5 | 0.6 | 0.8 |
| Dip at Resonance (dB) | 0.3–1.0 | 0.3–1.0 | 0.3–1.0 |
| Weight (oz) | 3.0 | 2.5 | 2.5 |

Ordering Information



OTHER FREQUENCY BANDS AND CUSTOM CONFIGURATIONS AVAILABLE.

WR-28, 22, 15, 12 and 10