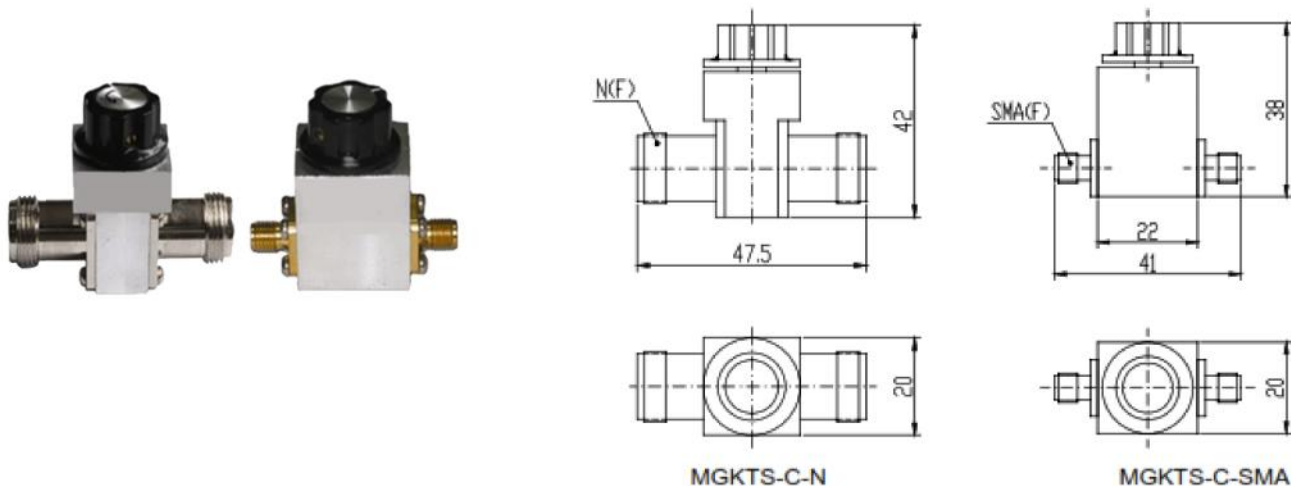


MoTech Electronics

VARIABLE/STEP ATTENUATORS

Model MGKTS-C DC-2.5GHz 1 Watts



Continuous Variable attenuators can be used to adjust the power signal level by step within certain frequency range without power off, they can also be used to adjust the test system's power level as inset attenuators, it is small with high accuracy and high stability etc.

MGKTS-C continuous variable attenuators' average power 1W, frequency range from DC-2.5GHz.

MECHANICAL SPECIFICATIONS

Connectors	Female Pin	Housing	Temp Range	Dimensions	Weight
Brass Nickel Plated	Beryllium Copper Gold Plated	Aluminum	-40°C~+65°C	N:47.5×20×42mm SMA:41×20×38mm	65g

RoHS Compliant: Yes

ELECTRICAL SPECIFICATIONS

Model Number	Frequency Range(GHz)	Attenuation Value (dB)
MGKTS-1-C	DC-2.5	0-10
MGKTS-2-C		0-16

NOMINAL IMPEDANCE: 50Ω

AVERAGE POWER: 1W

CONNECTOR TYPE: N (F, F) SMA (F, F)

Notes:

1. Dimensions Tolerance ±2%