

MoTech Electronics

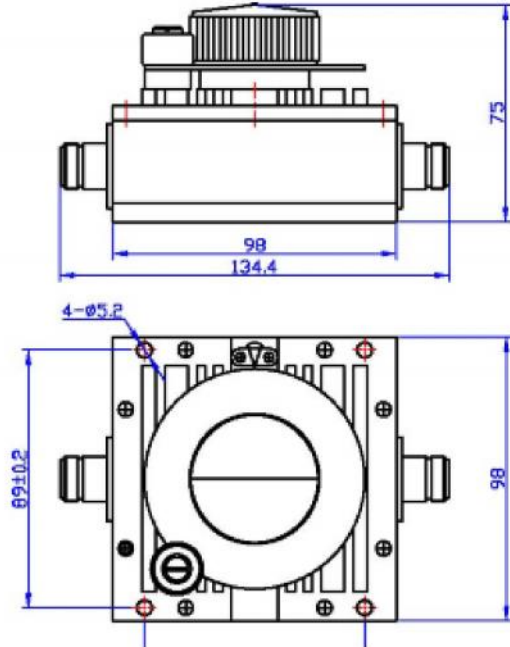
VARIABLE/STEP ATTENUATORS

Model GKTS75 0.9-4GHz 75 Watts



Continuous variable attenuators can be used to adjust the power signal level continuously within certain frequency range without power off, they can also be used to adjust the test system's power level as inset attenuators, it is small with high accuracy and high stability etc.

MGKTS75 continuous variable attenuators' average power 75W, frequency range from 0.9-4GHz.



MECHANICAL SPECIFICATIONS

Connectors	Female Pin	Housing	Temp Range	Dimensions	Weight
Brass Nickel Plated	Beryllium Copper Gold Plated	Aluminum, Black Anodize	-40°C~+65°C	135×98×75mm	1.5Kg

RoHS Compliant: Yes

ELECTRICAL SPECIFICATIONS

Model Number	Frequency Range(GHz)	Bandwidth (MHz)	Attenuation Accuracy(dB)	Attenuation Range(dB)	Max VSWR	Insertion Loss(dB)
MGKTS75-10	0.9-4	100	±0.5	0-10	1.5	≤1.0
		200				
MGKTS75-15		100		0-15		
		200				

NOMINAL IMPEDANCE: 50Ω

AVERAGE POWER: 75W

CONNECTOR TYPE: N (F, F)

Notes:

1. Dimensions Tolerance ±2%
2. Custom designs available for other special attenuation value & accuracy