

# MoTech Electronics

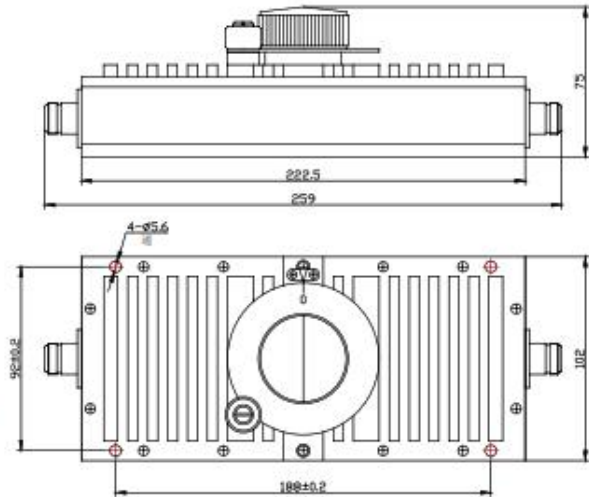
## VARIABLE/STEP ATTENUATORS

**Model MGKTS300 0.9-10.5GHz 300 Watts**



Continuous variable attenuators can be used to adjust the power signal level continuously within certain frequency range without power off, they can also be used to adjust the test system's power level as inset attenuators, it is small with high accuracy and high stability etc.

MGKTS300 continuous variable attenuators' average power 300W, frequency range from 0.9-10.5GHz.



### MECHANICAL SPECIFICATIONS

Connectors	Female Pin	Housing	Temp Range	Dimensions	Weight
Brass Nickel Plated	Beryllium Copper Gold Plated	Aluminum, Black Anodize	-40°C~+65°C	259×102×75mm	2.6Kg

**RoHS Compliant: Yes**

### ELECTRICAL SPECIFICATIONS

Model Number	Frequency Range(GHz)	Bandwidth (MHz)	Attenuation Accuracy(dB)	Attenuation Range(dB)	Max VSWR	Insertion Loss(dB)
MGKTS300-10	0.9-4	100	± 0.5	0-10	1.50	≤1.0
MGKTS300-25		200		0-25		
		100				
200						
MGKTS300-15	5-6	100	± 1.0	0-15	1.55	≤1.2
MGKTS300-12	9.5-10.5	200		0-12		
		100	1.60		≤1.5	

**NOMINAL IMPEDANCE:** 50Ω

**AVERAGE POWER:** 300W

**CONNECTOR TYPE:** N (F, F)

### Notes:

1. Dimensions Tolerance ±2%
2. Custom designs available for other special attenuation value & accuracy