

# MoTech Electronics

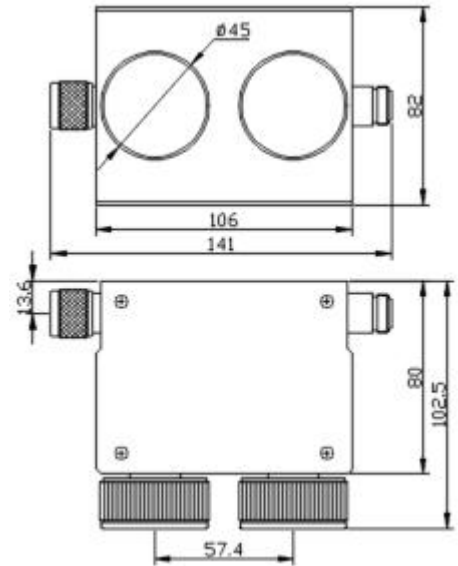
## VARIABLE/STEP ATTENUATORS

Model MGKTS2-2-XX-18-A7 DC-18GHz 2 Watts



Rotary Step attenuators are used to adjust the power signal level by step within certain frequency range, they can also be used to adjust the test system's power level as inset attenuators, it is small with high accuracy and high stability etc.

MGKTS2-2-XX-18-A7 type rotary step attenuators' average power 2W, frequency range from DC-18GHz, attenuation value 0-99dB by 1dB step.



### MECHANICAL SPECIFICATIONS

Connectors	Male Pin	Female Pin	Housing	Temp Range	Dimensions	Weight
Brass Nickel Plated	Brass Gold Plated	Beryllium Copper Gold Plated	Aluminum Anodic Oxidation	0°C ~ +54°C	141×102.5×82mm	914g

RoHS Compliant: Yes

### ELECTRICAL SPECIFICATIONS

Model Number	Frequency Range(GHz)	Attenuation Step Size	Max VSWR	Insertion Loss(dB)	Attenuation Accuracy(dB)
MGKTS2-2-69-8-A7	DC-8	0-69dB in 1dB steps	1.50	≤1.25	±0.5dB(0~9dB) ±1.0dB(10~19dB) ±1.5dB(20~49dB) ±2.0dB(50~70dB)
MGKTS2-2-69-12.4-A7	DC-12.4		1.60	≤1.5	±0.8dB(0~9dB) ±1.0dB(10~19dB) ±1.5dB(20~49dB) ±2.0dB(50~70dB)
MGKTS2-2-69-18-A7	DC-18		1.75	≤1.75	±0.8dB(0~9dB) ±1.0dB(10~19dB) ±1.5dB(20~49dB) ±2.0dB(50~70dB)
MGKTS2-2-99-8-A7	0.1-8	0-99dB in 1dB steps	1.50	≤1.25	±0.5dB(0~9dB) ±1.0dB(10~19dB) ±1.5dB(20~49dB) ±2.0dB(50~69dB) ±2.5dB or 3.5%(70~99dB)
MGKTS2-2-99-12.4-A7	0.1-12.4		1.60	≤1.5	±0.8dB(0~9dB) ±1.0dB(10~19dB) ±1.5dB(20~49dB) ±2.0dB(50~69dB) ±2.5dB or 3.5%(70~99dB)
MGKTS2-2-99-18-A7	0.1-18		1.75	≤1.75	±0.8dB(0~9dB) ±1.0dB(10~19dB) ±1.5dB(20~49dB) ±2.0dB(50~69dB) ±2.5dB or 3.5%(70~99dB)

**NOMINAL IMPEDANCE:** 50Ω

**AVERAGE POWER:** 2W

**PEAK POWER:** 200W (5μs pulse width with 0.5% duty cycle)

**CONNECTOR TYPE:** N(M, F), SMA(F,F)

#### Notes:

- Dimensions Tolerance ±5%
- Custom designs available for other special attenuation value & accuracy