

MoTech Electronics

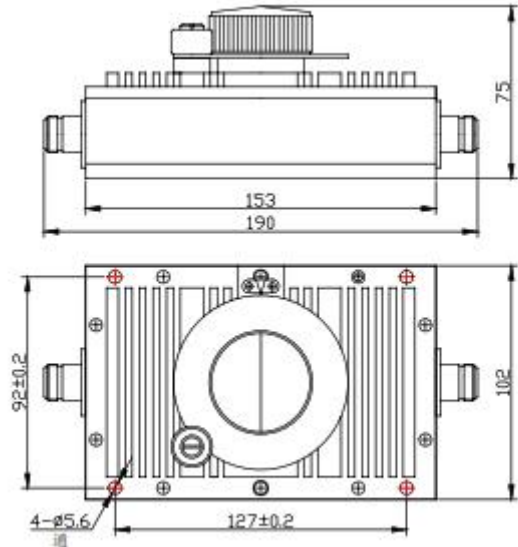
VARIABLE/STEP ATTENUATORS

Model MGKTS100 0.9-10.5GHz 100 Watts



Continuous variable attenuators can be used to adjust the power signal level continuously within certain frequency range without power off, they can also be used to adjust the test system's power level as inset attenuators, it is small with high accuracy and high stability etc.

MGKTS100 continuous variable attenuators' average power 100W, frequency range from 0.9-10.5GHz.



MECHANICAL SPECIFICATIONS

Connectors	Female Pin	Housing	Temp Range	Dimensions	Weight
Brass Nickel Plated	Beryllium Copper Gold Plated	Aluminum, Black Anodize	-40°C~+65°C	190×102×75mm	2Kg

RoHS Compliant: Yes

ELECTRICAL SPECIFICATIONS

Model Number	Frequency Range(GHz)	Bandwidth (MHz)	Attenuation Accuracy(dB)	Attenuation Range(dB)	Max VSWR	Insertion Loss(dB)
MGKTS100-10	0.9-4	100	±0.5	0-10	1.50	≤1.0
		200				
MGKTS100-20		100	±1.0	0-20		
		200				
MGKTS100-15	5-6	100	±1.0	0-15	1.55	≤1.2
200						
MGKTS100-12	9.5-10.5	100		0-12	1.60	≤1.5

NOMINAL IMPEDANCE: 50Ω

AVERAGE POWER: 100W

CONNECTOR TYPE: N (F, F)

Notes:

1. Dimensions Tolerance ±2%
2. Custom designs available for other special attenuation value & accuracy