

with or without Terminations

## MC8, MC0, MCF, MCM (FAILSAFE)

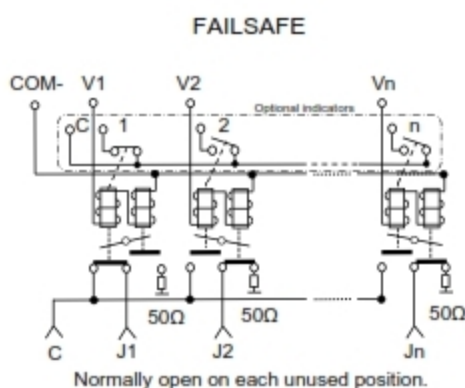


Fig. 1

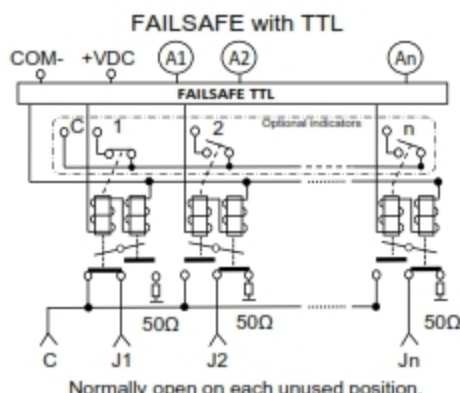


Fig. 2

LOGIC  
TRUTH  
TABLE

FAIL SAFE (Fig. 1)

RF PATH	V(n)	COM
J(n)-C	+VDC	GND
J(n)-T or Open	0	GND

FAIL SAFE with TTL (Fig. 2)

RF PATH	A(n)	+VDC	COM
J(n)-C	1	Rated +V	GND
J(n)-T or Open	0	Rated +V	GND

NOTE: (1) TTL logic input A(n): low "0" = 0.0V – 0.8V; high "1" = 2.4V – 5.5V.

(2) +VDC=Rated voltage.