

Applications

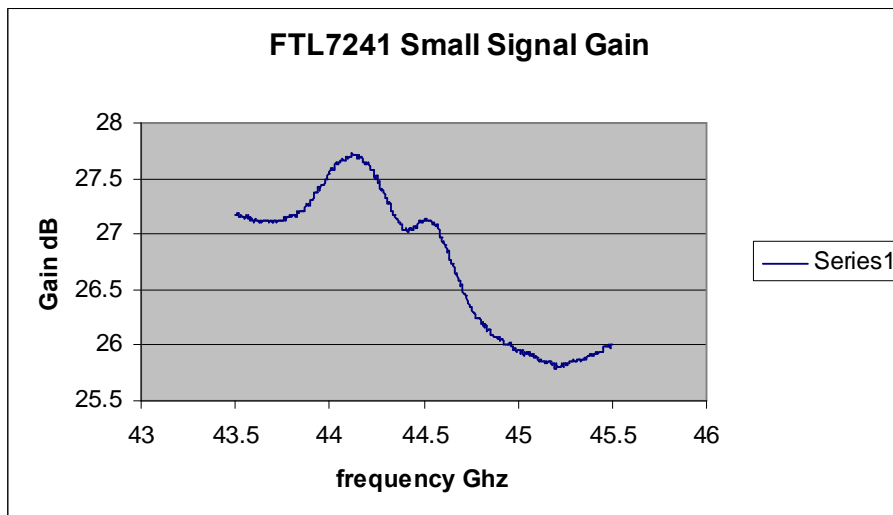
- Driver amplifier
- Base Station TX
- Instrumentation
- Point to point communications

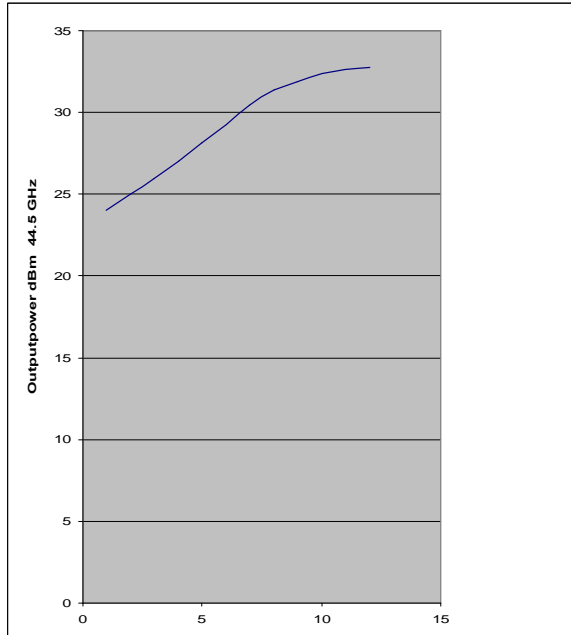
Features

Product features	Min	Typ	Max	Unit
RF Frequency	43		46	GHz
Linear Gain	25	27		dB
Psat		33		dBm
P1dB	30	31		dBm
Supply Voltage	+7	+8	+9	V
Supply Current		4600		mA
Connectors	Input	2.4 mm	Output	WR-22

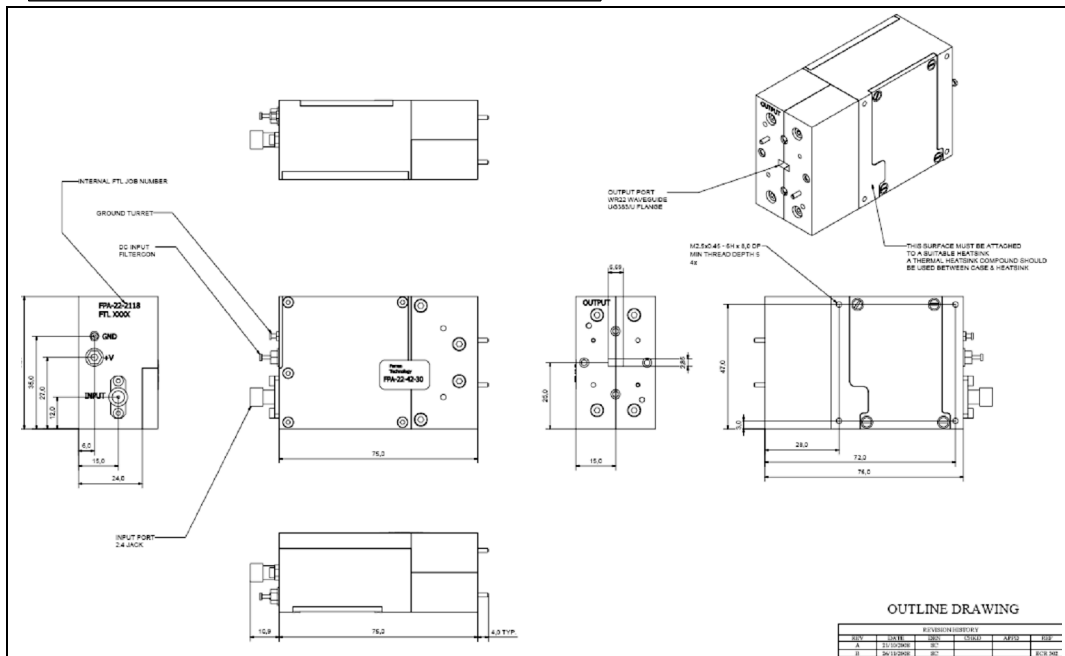
Description

A general purpose 1 watt CW power amplifier in the 43-46 GHz frequency range. The unit is used with a heatsink.





1dB compression point at 44.5 GHz


Note :

The data contained in this document describes new products in the pre-production phase of development, and is for information only. Farran Technology reserves the right to change,

without notice, the characteristic data and other specifications applied to this product. The product may be subject to Irish export restrictions.