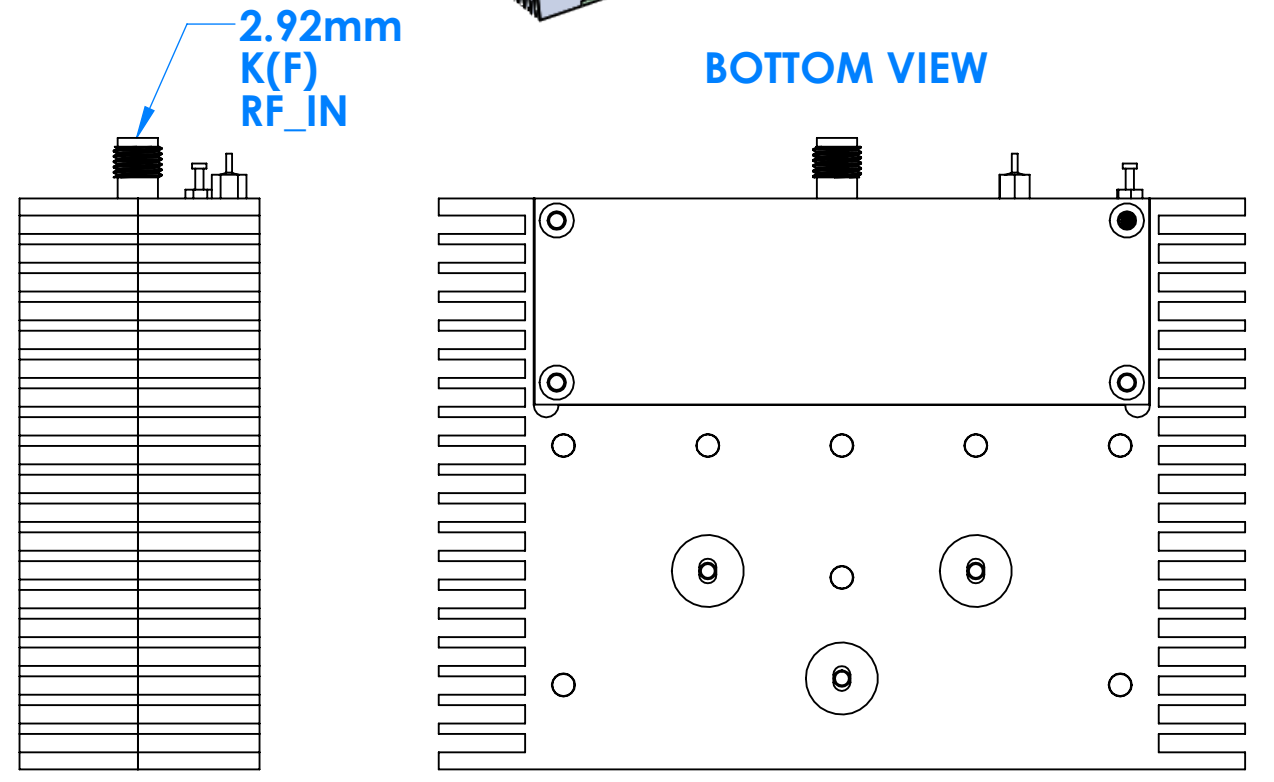
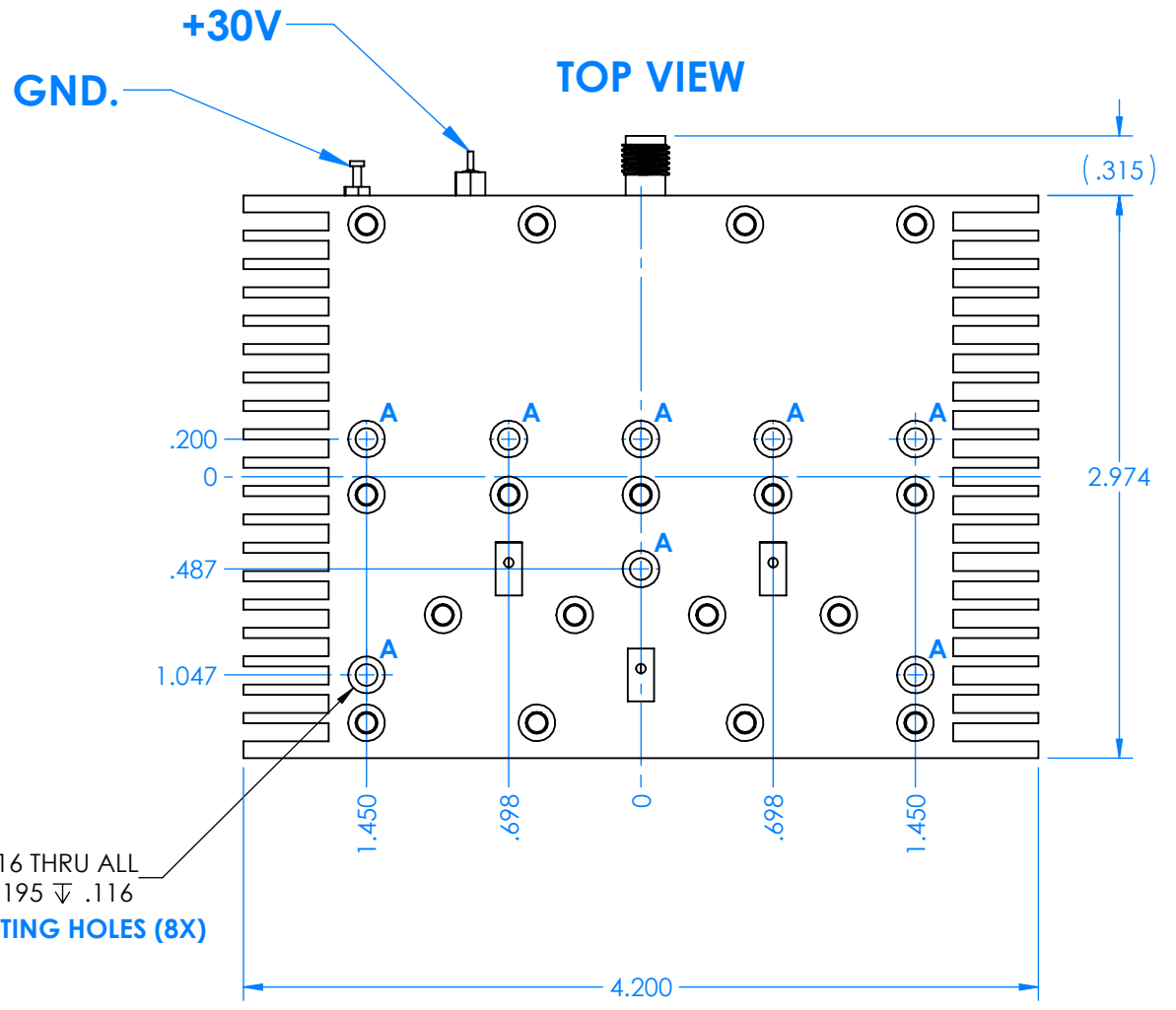
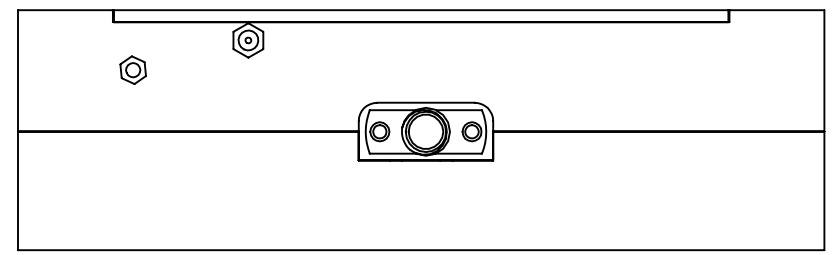
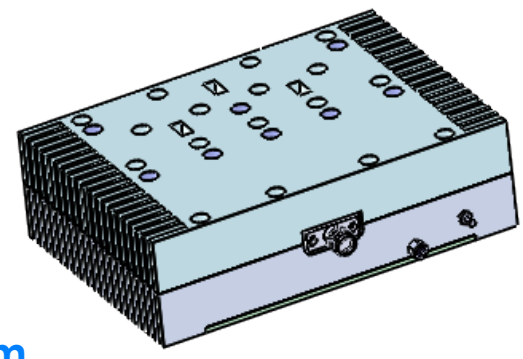
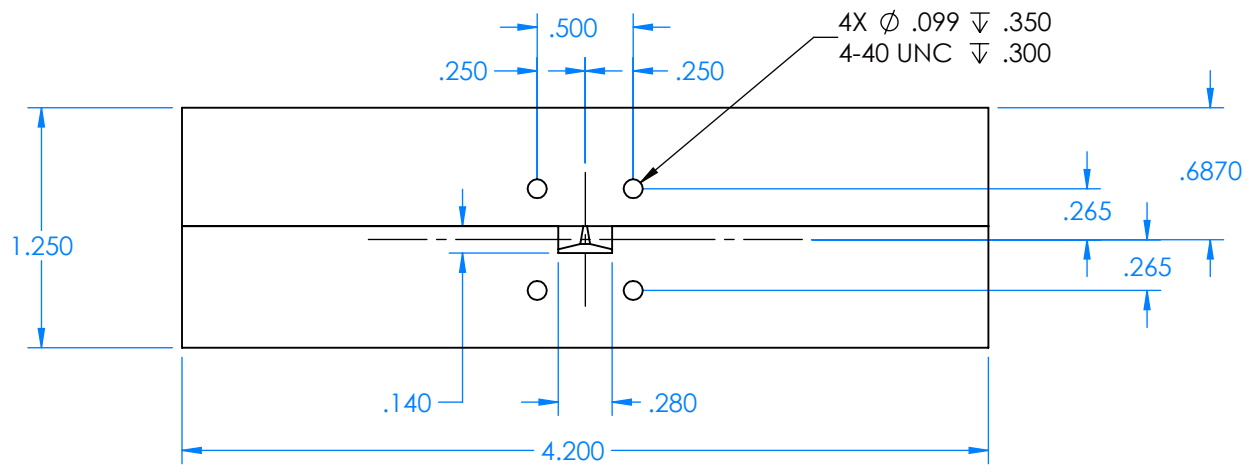


REVISIONS

REV	DESCRIPTION	DATE	APPROVED
-	-	-	-



8X  $\phi$  .116 THRU ALL  
 $\square$   $\phi$  .195  $\nabla$  .116  
**"A"-MOUNTING HOLES (8X)**



**ALL DIMENSIONS  
 ARE REFERENCE ONLY**

DECIMALS: XXXX $\pm$ .0005 XXX $\pm$ .005 XX $\pm$ .01	NAME: JV DATE: 4-1-19	TITLE: Millimeter Wave Products Inc.
ANGLES: $\pm$ .5 DEGREE	CHECKED: MS DATE: 4-1-19	SIZE: B
THIRD ANGLE PROJECTION	ENG: LS DATE: 4-1-19	DWG. NO.: 955_POWER COMBINER_4-WAY_WG_COAX_OUTLINE_25451
MATL: 6061 T6 ALUMINUM	SCALE: 1:1	REV: -
	WEIGHT:	SHEET 1 OF 1