



Description

Mi-Wave's 515 Series Direct-reading electronic Precision Attenuators provide 0 to 70 dB of calibrated attenuation by rotation of a resistive vane mounted in a circular waveguide section. These units are often referred to as precision rotary vane attenuators.

- High Accuracy to 70dB
- Low VSWR
- Direct Reading
- Low Insertion Loss
- Anti-backlash Drive
- Negligible Phase Shift
- Precision Construction
- Absolute Attenuation Reading

Applications

The 515 Series Direct-reading Precision attenuators are used in all RF measurement systems. They are most frequently used in RF substitution-type set-ups for precise measurement of characteristics such as isolation, coupling, insertion loss and gain.

Description	Specifications
Attenuation Range	0 dB to 70 dB (typical)
Accuracy	0.1 db or < 1% of the setting
Resolution	0 to 20 db in 0.01 db steps 20 to 70 db its 0.1 db steps Max Setting 70 dB

NOTE:

Lower frequency versions are available from 8.4 GHz and up.

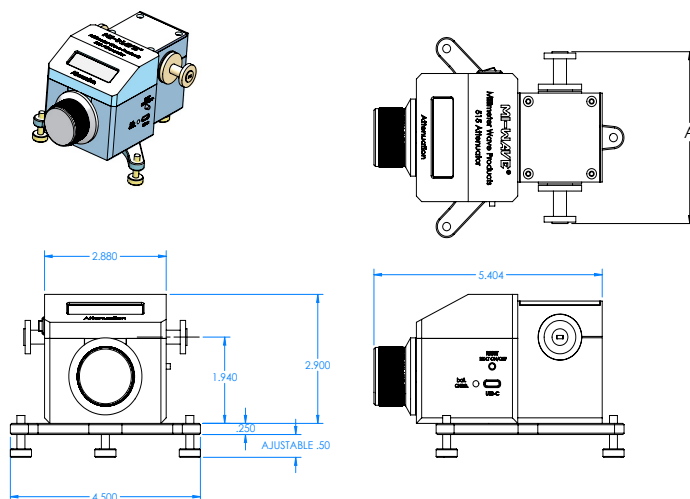
Accuracy is based on calibration of test equipment.

Rechargeable internal battery that will operate the attenuator up to 40 hours with the back light off or 10 hours with the back light on. Operates off a standard USB C cable that will charge the battery and operate the attenuator.

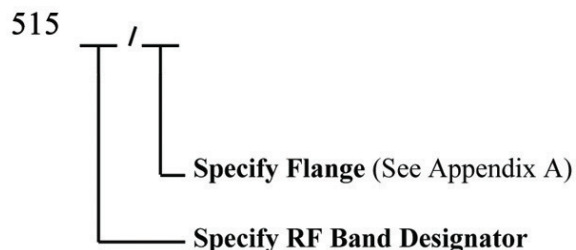
Dimensional Specifications		
Model No.	A	
	in.	mm
515K	8.48	215.0
515A	6.87	174.0
515B	6.25	159.0
515U	5.76	146.0
515V	4.50	114.3
515E	4.50	114.3
515W	4.50	114.3
515F	3.53	89.7
515D	3.44	87.4
515G	3.20	81.3

OTHER BANDS AVAILABLE:

- WR-137
- WR-112
- WR-90
- WR-75
- WR-62
- WR-51
- WR-34

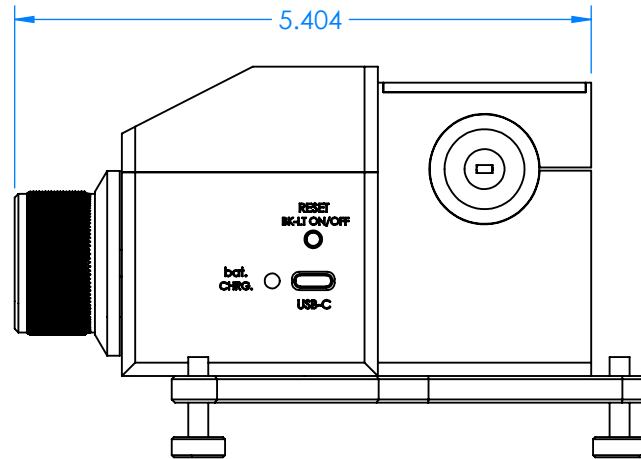
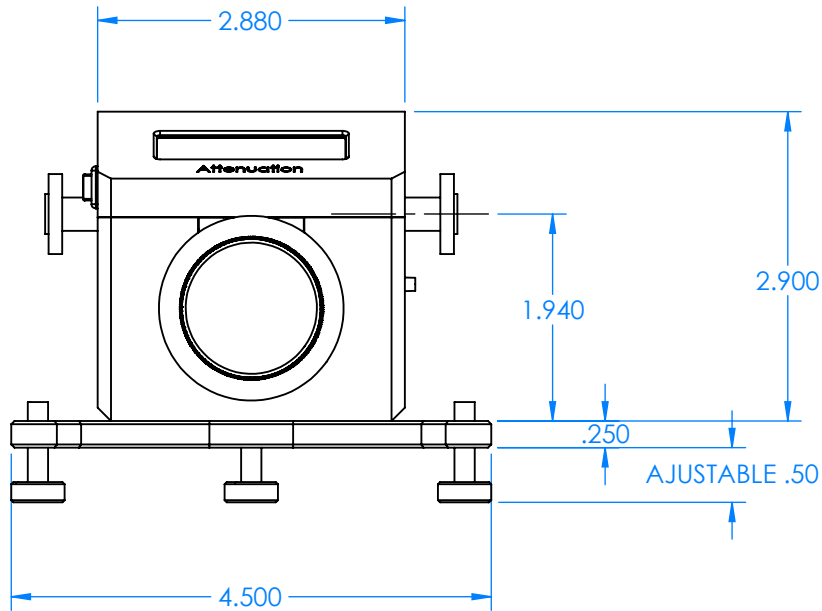
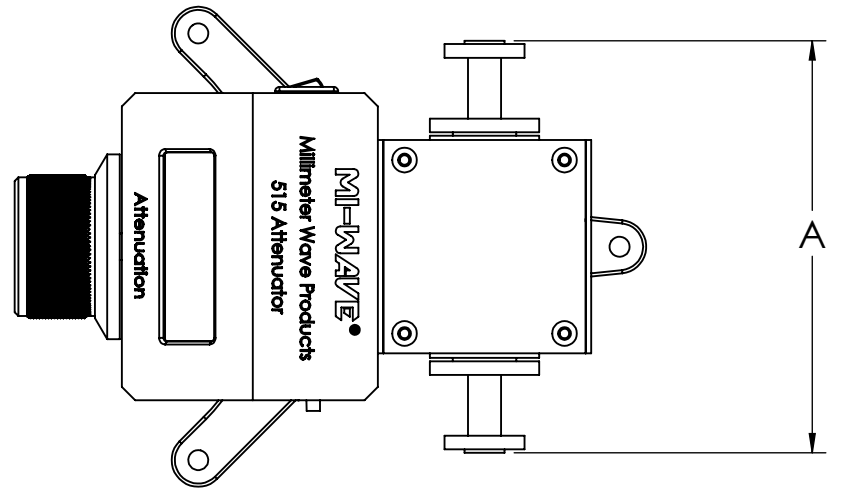
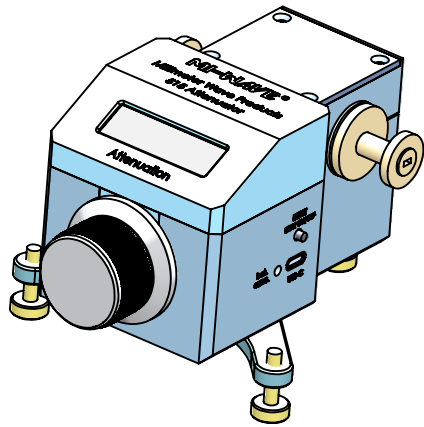


Ordering Information



Technical Specifications (typical)												
Model No.	515K	515A	515B	515U	515V	515E	515W	515F	515D	515G	515H	515J
Frequency Band (GHz)	18–26.5	26.5–40	33–50	40–60	50–75	60–90	75–110	90–140	110–170	140–220	170–260	220-325
Insertion (Loss) (dB)	0.5	0.5	0.6	0.7	0.9	1.0	1.2	1.5	3.0	4.0	5	5.5
VSWR (typical)	1.30	1.15	1.15	1.15	1.20	1.20	1.20	1.25	1.3	1.3	1.3	1.35
Weight (oz)	52	38	38	36	29	28	28	26	24	24	22	22
High Power (watts)	20	20	15	15	15	10	2	1	1	.5	.2	.1
Low Power (watts)	1.0	0.5	0.5	0.4	0.3	0.2	0.2	0.1	0.1	0.1	0.05	0.05

REVISIONS			
REV	DESCRIPTION	DATE	APPROVED
-	-	-	-



DECIMALS: XXXX ±.0005
 XXX ±.005
 XX ±.01
 ANGLES: ± .5 DEGREE

THIRD ANGLE PROJECTION

	NAME	DATE
DRAWN	JV	5-30-19
CHECKED	MS	5-30-19
ENG	HW	5-30-19

MATL:

TITLE: Millimeter Wave Products Inc.		REV
SIZE	DWG. NO.	-
A	515_Attenuator_OUTLINE_24772	
SCALE: 1:3	WEIGHT:	SHEET 1 OF 1