

263 Series

Wide Angle Scalar Feed Horns

Description

Mi-Wave's 263 Series wide angle scalar feed horn, also called a choke horn, has been designed to be used in applications where wide beamwidth (55 Deg.) is required such as low F/D ratios of 0.5 and 0.4 in parabolic reflectors and offset feed applications.

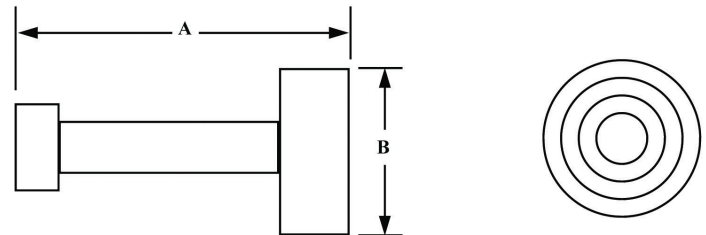
- *Low VSWR*
- *Wide Beamwidths*
- *Polarization Insensitive*
- *Partial Waveguide Bandwidths*

Applications

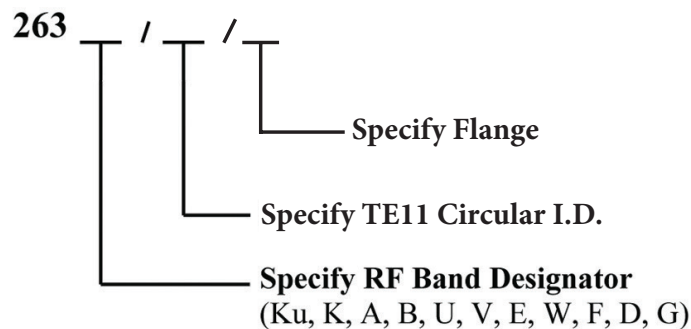
Low F/D Antennas
Surveillance Systems
Offset Feed Antennas



Typical Electrical Specifications	
Beamwidth (3 dB)	E-Plane 55 Deg. H-Plane 56 Deg.
SideLobes	E-Plane -25dB H-Plane -25dB
Bandwidth	50%



Ordering Information



ORDER EXAMPLE:

Model number 263 W/387 is a wide beam scalar feed horn operating in W-band with a UG-387 flange.

Dimensional Specifications						
Model No.	Frequency Band (GHz)	EIA-WG Designation	A		B	
			in.	mm	in.	mm
263	12.4–18.0	WR62	5.00	127.0	3.12	79.3
263	18.0–26.5	WR42	3.50	88.9	2.15	54.6
263	26.5–40.0	WR21	2.75	69.9	1.52	38.6
263	33.0–55.0	WR22	2.50	63.5	1.25	31.8
263	40.0–60.0	WR19	2.25	57.2	1.12	28.5
263	50.0–75.0	WR15	1.75	44.5	0.88	22.4
263	60.0–90.0	WR12	1.62	41.2	0.75	19.0
263	75.0–100.0	WR10	1.50	38.1	0.62	15.8
263	90.0–140.0	WR8				
263	110.0–170.0	WR-6				

Check with Miwave for current dimensions