



## Description

Mi-Wave's 955 Series microwave and millimeter wave amplifiers offer a wide variety of frequency ranges, bandwidths, gain and power outputs.

Low cost production designs to meet the demanding needs of communications are also now available.

Please consult Mi-Wave for technical specifications and outline drawings.

- High Gain
- Full Bandwidths
- High 1 db Comp. Points
- Wide Variety of Frequency Ranges
- 8 GHz to 140 GHz

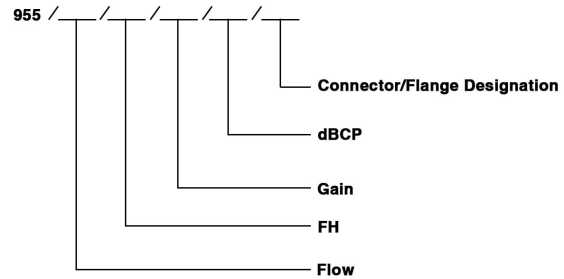
Technical Specifications (typical)					
Freq. Min. (GHz)	Freq. Max (GHz)	Gain	Output Power	VSWR	I/O
18	40	20dB	+20 dBm	2:1	K (F)
26.5	40	20dB	+20 dBm	2:1	K (F)
33	50	30dB	+18 dBm	2:1	2.4mm (F)
33	50	30dB	+18 dBm	2:1	WR22 Waveguide
35	47	35dB	+20 dBm	2:1	2.4mm (F)
35	47	35dB	+20 dBm	2:1	WR22 Waveguide
50	70	28dB	+15 dBm	2:1	WR15 Waveguide
50	68	35dB	+18 dBm	2:1	V (F)
55	65	25dB	+18 dBm	1.5:1	WR15 Waveguide
63	90	10dB	+8.5 dBm	3:1	WR12 Waveguide
66	78	20dB	+16 dBm	3:1	WR12 Waveguide
70	90	30dB	+15 dBm	2:1	WR12 Waveguide
71	86	30dB	+15 dBm	2:1	WR12 Waveguide
75	110	25dB	+15 dBm	2:1	WR10 Waveguide
75	110	10dB	+15 dBm	2:1	WR10 Waveguide
76	81	16dB	+10 dBm	3:1	WR12 Waveguide
81	86	25dB	+20 dBm	2:1	WR12 Waveguide
90	100	30dB	+15 dBm	2:1	WR10 Waveguide
92	96	35dB	+16 dBm	3:1	WR10 Waveguide
92	96	30dB	+20dBm	3:1	WR10 Waveguide

## Low Cost E-band Amplifiers Available

Other Bandwidths, Gain, and dBCEP available.

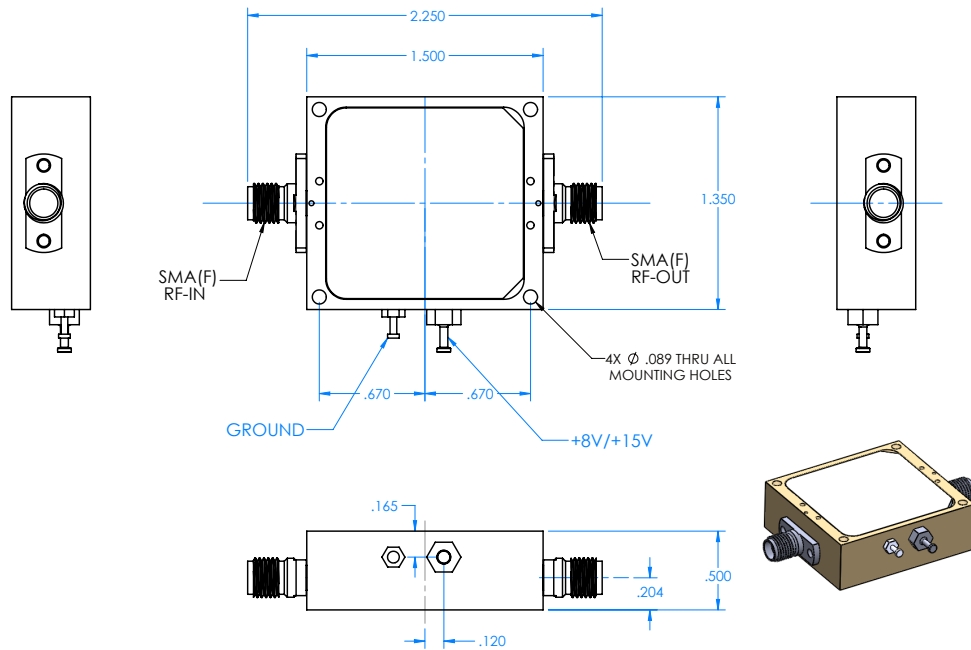
Consult Mi-Wave for more specification needs.

## Ordering Information



Reference Outline Drawings on Page 89

955ABU-coax-coax



955A\_INLINE\_OUTLINE

